

Diaphragm Seals

Threaded Process Connection, Flush Diaphragm

Male Thread • Model 990.36
Male Running Nut • Model 990.37

Diaphragm Seals

Service intended

Diaphragm seal to combine with high pressure bourdon tube pressure gauges or transmitters. Suitable for corrosive, contaminated, hot or viscous pressure media in chemical- and foodstuff and paint industries.

Design

Body with flush diaphragm

Process connection

Male pipe thread
Male running nut

Pressure rating

PN 600

Suitable pressure ranges

Model 990.36: 10 bar to 600 bar
Model 990.37: 100 bar to 600 bar

Standard features

Body (process connection)

Stainless steel 316L

Model 990.36: Male pipe thread

Model 990.37: Male running nut

Feasible sizes see table overleaf

Diaphragm

Stainless steel 316L, welded with body

Instrument connection

Stainless steel 316L

Model 990.36: G ¼, G ½ female per EN 837-1 /7.3.5

Model 990.37: G ¼ female per EN 837-1 /7.3.5



Model 990.37 with direct mounted pressure gauge Model 232.50.63

Model 990.36

Optional extras

Body (process connection)

- Special materials (solid metal only) available upon inquiry

- Model 990.36: G ½ B, G ¾ B, G 1 B, G 1 ½ B, same sizes NPT

- Model 990.37: G ¾ B, G 1 B, parallel thread only

Diaphragm

- Special materials same as body

Instrument connection

- Model 990.36: G ½ female, ¼ or ½ NPT female

- Model 990.37: G ½ female, ¼ or ½ NPT female

- Cooling tower for directly mounted gauge when temperature of pressure media > 100 °C

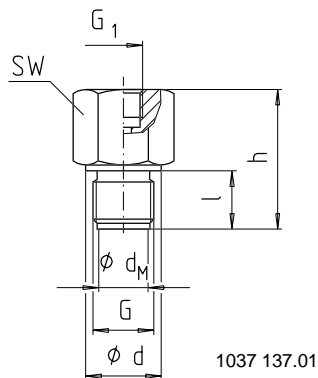
- Capillary extension welded with body and gauge adaptor

- G ½ female to fit surface mounting bracket

Dimensions

Standard version

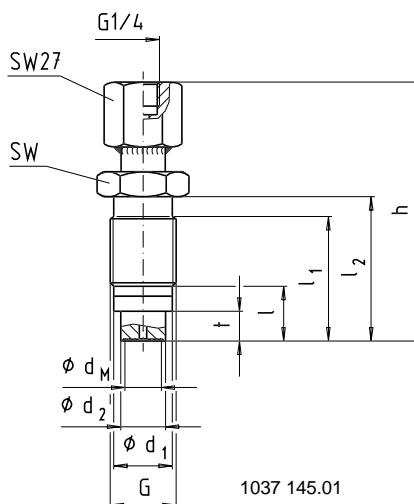
Model 990.36
male thread with flush diaphragm



G	PN [bar]	Dimensions [mm]					
		d _M	G ₁	SW	d	l	h
G ½ B	600	17	G ¼	30	26	20	48
G ¾ B	600	22	G ¼	32	32	20	45
G 1 B	600	25	G ½	41	39	28	64
G 1½ B	600	40	G ½	55	60	30	50

Effective diameter of diaphragm = d_M

Model 990.37
with male running nut



G	PN [bar]	Dimensions [mm]								
		d _M	d ₁	d ₂	h	SW	t	l	l ₁	l ₂
G ¾ B	600	17	23.5	18	107	32	12	22	50	58
G 1 B	600	22	29.5	23.5	181	41	25	34	75.5	111

Effective diameter of diaphragm = d_M

Ordering information

Specify:
Model / Size of connection / Material of wetted parts / Size of instrument connection /
Filling liquid / Pressure instrument desired (preferably 63 mm) / Process conditions as per questionnaire / Optional extras required

Specifications and dimensions given in this leaflet represent the state of engineering at the time of printing.
Modifications may take place and materials specified may be replaced by others without prior notice.



WIKA Alexander Wiegand GmbH & Co. KG
Alexander-Wiegand-Straße · 63911 Klingenberg
Tel.: (0 93 72) 132-0 · Fax: (0 93 72) 132-406
<http://www.wika.de> · E-mail: info@wika.de