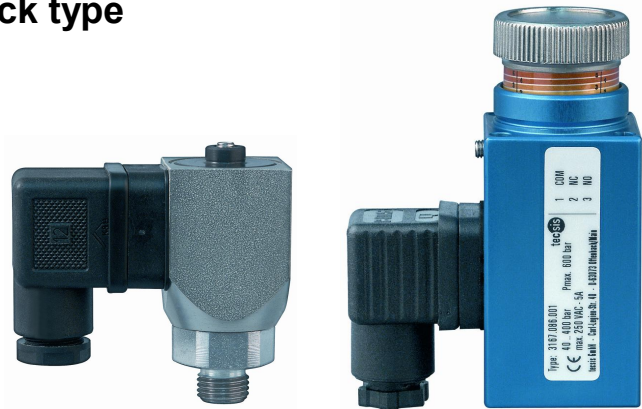


## Mechanical pressure switches block type

1 changeover contact for positive and negative gauge pressure

with rotatable case, female or flange mounted



### Special features

As a result of their robust and resistant construction, block-type pressure switches guarantee a long service life, even in the case of high loads. The model featuring the rotatable pressure contact makes alignment of the pressure switches an easy task in application. The flange design can be directly screwed to the hydraulic block. At the same time, this mechanically stable connection safeguards the pressure connection, without additional pipework.

### Areas of application

The switches can be used wherever high switching capacities are required under high pressure. For example, in applications involving the control and monitoring of hydraulic systems and process sequences. The measuring ranges and choice of materials from the S4310 series make these pressure switches extremely attractive for all measurement tasks involving pneumatic systems.

### Product features

The robust design of these pressure switches guarantees a long service life, even in the case of high loads and allows switching capacities of 250V and up to 5A. All switches are equipped with DIN plug connectors which make it quick and easy to install the electrical connections. An adjusting head or an adjustment screw makes it easy to adjust the switching points on-site. Gold-plated contacts are also available as an option for small switching currents.

### Adjustment ranges (in bar)

adjustment range	max. working pressure	overload limit	burst pressure	model no. S4230	model no. S4430	model no. S4310	model no. S4320	model no. S4330
				changeover contact				
				pos. gauge pressure	neg. gauge pressure	pos. gauge pressure		
-0,8... 0,02	-0,8... 0	-0,8	2		M			
0,3... 2	0... 2	2	5	M			M	
0,3... 6	0... 6	6	10			M		
1... 10	0... 10	10	20	M			M	
1... 16	0... 16	16	25			M		
2... 40	0... 200	200	900					K
10... 70	0... 70	70	120	K			K	
5... 100	0... 300	300	900					K
20... 200	0... 400	400	900					K
50... 200	0... 200	200	300	K			K	
30... 300	0... 500	500	900					K
40... 400	0... 600	600	900					K
50... 400	0... 400	400	600				K	

M: diaphragm, K: piston type

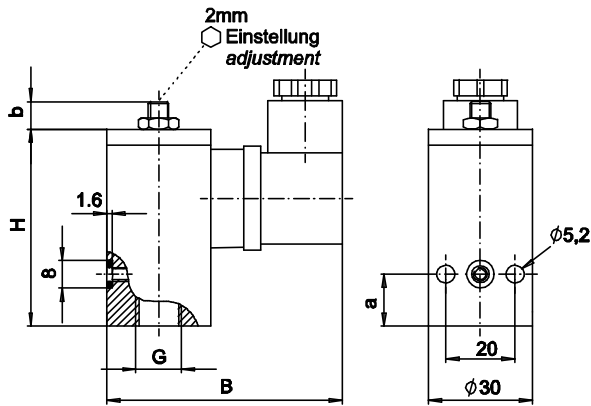
Models: S4230, S4430, S4310, S4320, S4330

## Technical data

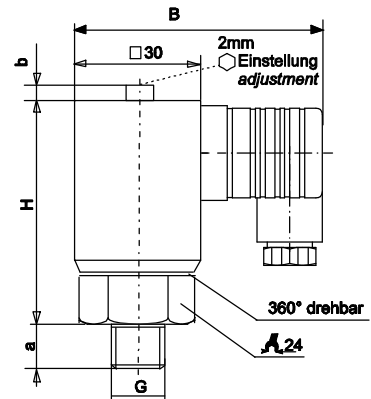
model no	S4230	S4430	S4310	S4320	S4330	Options
<b>execution</b>	diaphragm from 10...70 bar piston	diaphragm		diaphragm from 10...70 bar piston	piston	
<b>pressure</b>	gauge pressure	vacuum	gauge pressure			
<b>process connection</b>	G 1/4 B, rotatable		G 1/4 female or flange connection			
<b>measuring principle</b>	spring loaded diaphragm or piston					
<b>material</b>				NBR diaphragm steel piston with PUR seal	steel piston with NBR seal	other materials
measuring element	NBR-diaphragm brass piston with PUR-seal					
pressure port	zinc plated steel		aluminium anodized	zinc plated steel	aluminium anodized	other materials
housing	zinc plated steel		aluminium anodized	zinc plated steel	aluminium anodized	
<b>load cycles</b>	1 mio.					
<b>switch outputs</b>						gold plated contacts
number	1					
switch function	SPDT					
switching element	micro switch with silver plated contacts					
adjustment	in site, with adjustment screw					factory setting, adjustment knob for S4330
<b>hysteresis</b>	10... 25%				15%	
<b>power rating</b>						
DC up to 42 V	2 A	2 A	2 A	2 A	1,5 A	
up to 110 V	0,5 A	0,5 A	0,5 A	0,5 A	0,25 A	
AC up to 42 V	5 A	5 A	5 A	5 A	5A	
up to 125 V	5 A	5 A	5 A	5 A	5A	
up to 250 V	5 A	5 A	5 A	5 A	5 A	
<b>repeatability</b>	5 %				2%	
<b>temperature ranges</b>						
storage	-25... +85°C				-20... +80°C	
media	-25... +85°C				-20... +80°C	
ambient	-25... +85°C				-20... +80°C	
<b>electrical connection</b>	connector according to DIN EN 175301-803 incl. junction box					
<b>protection class</b>	IP 65					
<b>weight</b>	approx. 0.23 kg	approx. 0.12 kg	approx. 0.18 kg	approx. 0.37 kg	approx. 0.35 kg	

## Dimensions (mm)

model no. S4310/S4320

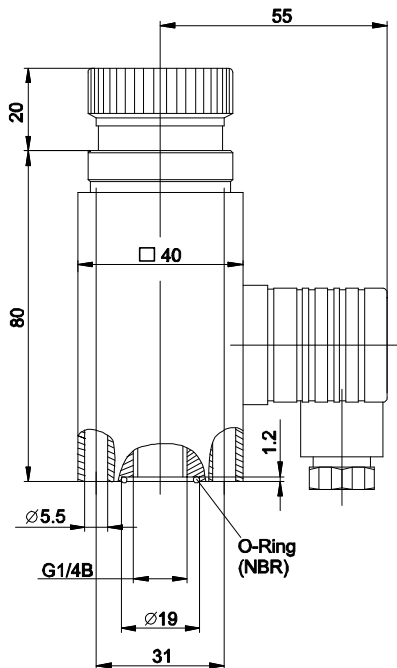


model no. S4230/S4430

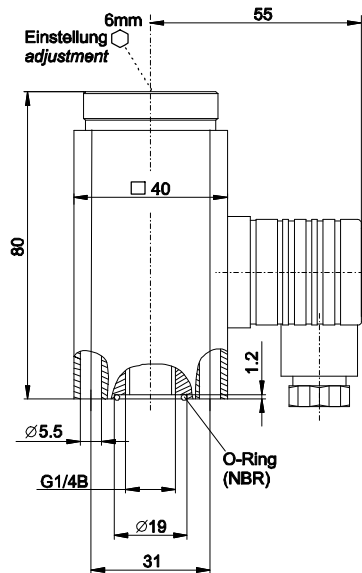


model no	B	a	b	H	G
S4310	68	12	8	53	G 1/4
S4320	68	15	8	57	G 1/4
S4230	67	10	0	51	G 1/4
S4430	69	9	7	58	G 1/4

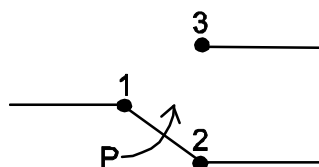
model no. S4330 with adjustment knob



model no. S4330 with adjustment screw



## Electrical connection



Subject to technical alternations